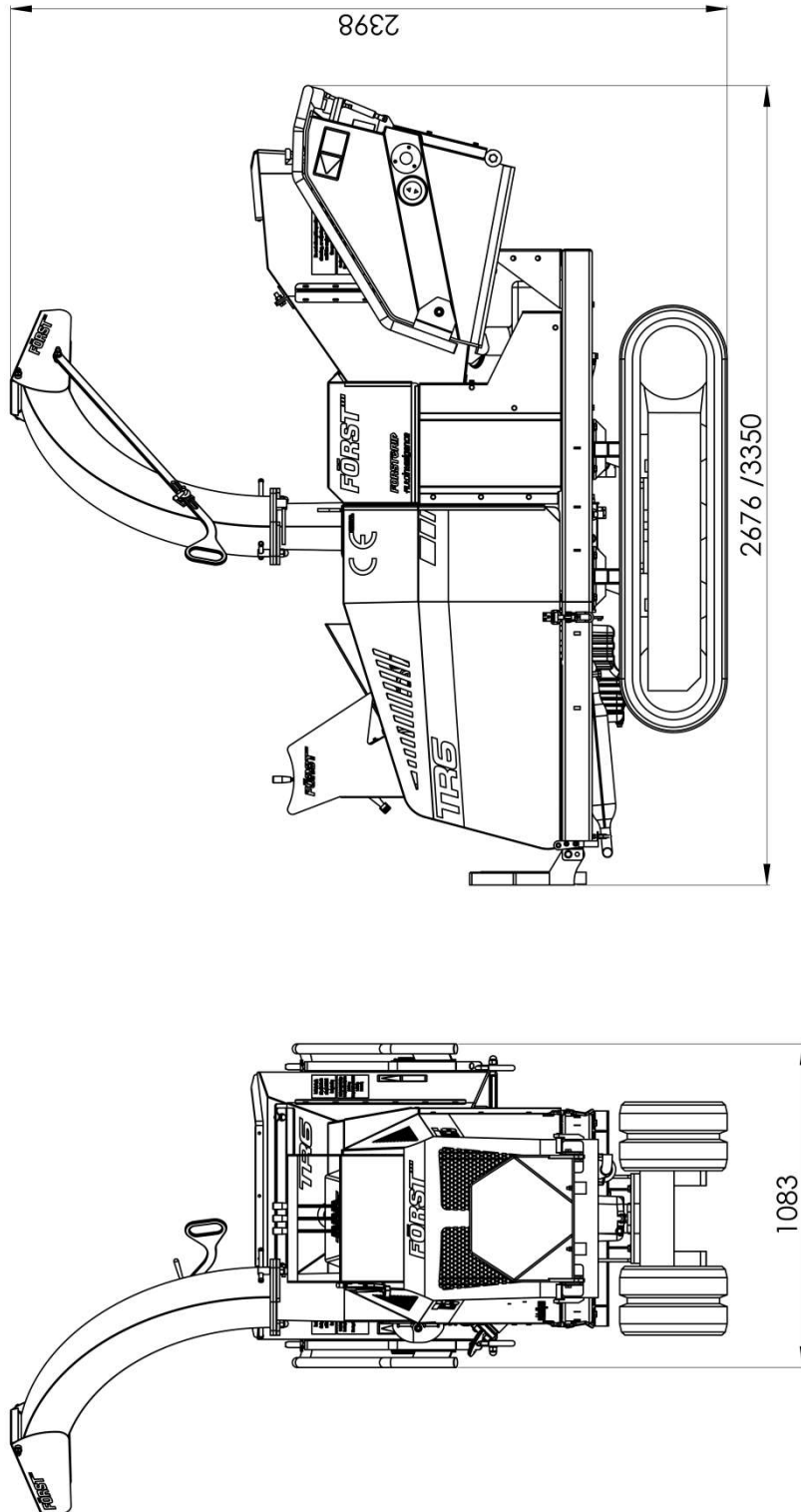


Purpose of machine

The Forst TR6 is designed to reduce wood material up to 150mm diameter to woodchip. This machine is capable of processing up to 5 tonnes of wood per hour.



Engine size	Kubota 4 cyl diesel	Roller feed	Twin series hydraulic motors
Maximum power	26.1 kW (35hp)	Maximum material diameter	150mm
Cooling method	Water cooled	Fuel capacity	30 litres
Overall weight	1300kg	Hydraulic oil capacity	18 litres
Starting method	Electric	Material processing capacity	5 Tonnes/Hr
		Fuel type	Diesel